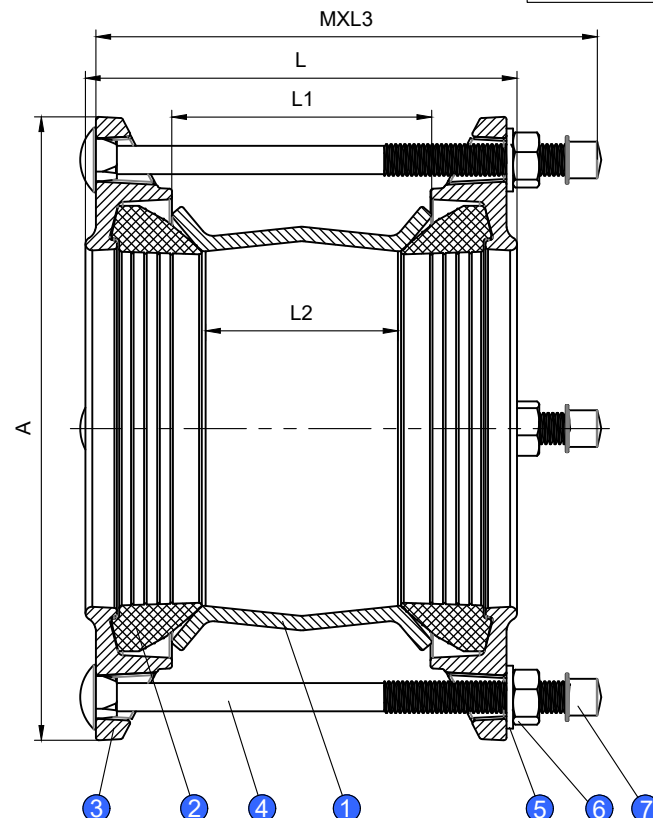
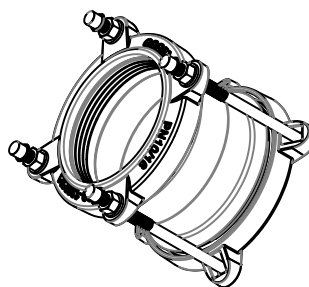
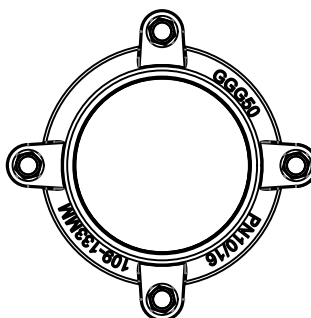


Fig:FC10-A

■ Features

- Ductile Iron GGG50 material with FBE coated.
- PN10,PN16 working pressure.
- Equipped with Dacromet Coated Steel bolts, nuts.
- EPDM or NBR rubber seals .
- High Tolerance Mechanical Pipe Fittings



1:Flange dimensions according to EN1092-2
 2:Any definite information kindly contact with Hiwa directly.

Material Specification:

No.	Parts Name	Material	Specification
1	Body	Ductile Iron	GGG50 with FBE Coated
2	Rubber Gasket	Rubber	EPDM
3	End Ring	Ductile Iron	GGG50 with FBE Coated
4	Bolt	Dacromet Coated Steel	ISO898-1:1999
5	Washer	Dacromet Coated Steel	
6	Nut	Dacromet Coated Steel	ISO898-2:1992
7	Cap	Plastic	

DRAWER		TOLERANCE		MATERIAL:	UNIT:mm
CHECK		SCALE		Universal Coupling	
APPROVAL		DATE	01/31/20		
				DN40-DN400	
				REV	202001A

This document is the property of Huihua Valve Industry Co. Distribution of this document without the written consent of the owner is strictly forbidden. Failure to comply will incur a liability for damages.
 http://www.hiwalow.com Website sales@hiwalow.com Email
 86 - 533 - 6077217 Phone 86 - 533 - 6077233 FAX
 Huihua Valve Industry co. No.36 MinAn Road New Hi-Tech Industry Zone Zibo Shandong China 255088 p.c