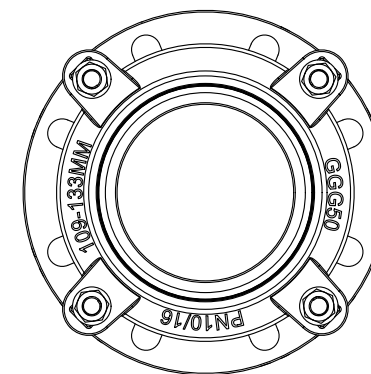
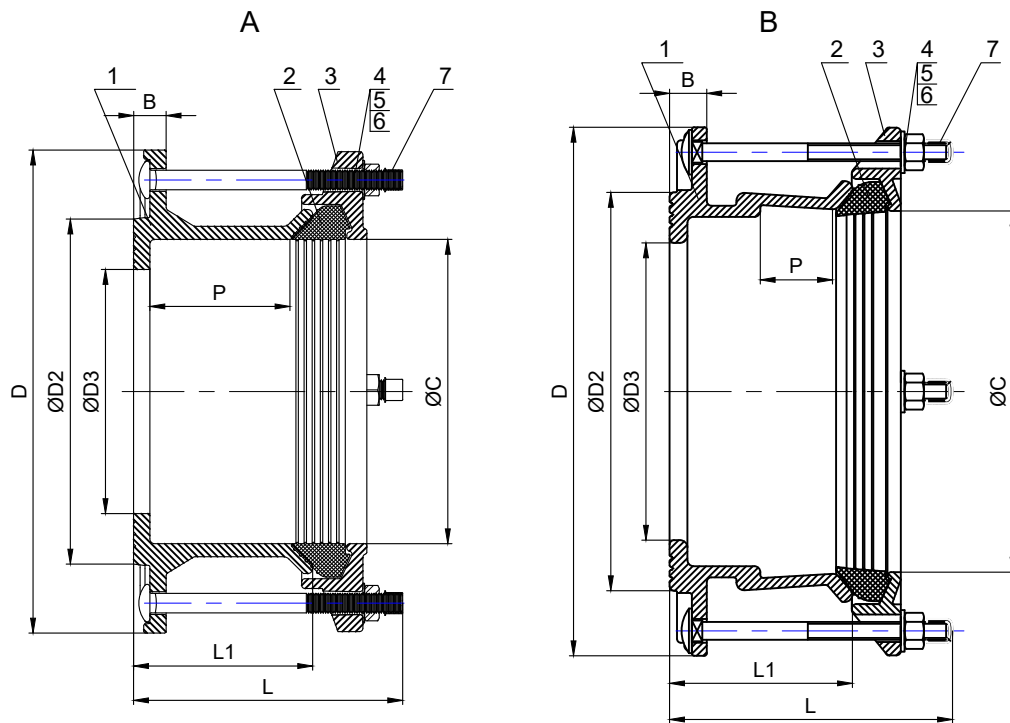


Fig:FA10-A



■ Features

- Ductile Iron GGG50 material with FBE coated.
- PN10,PN16 working pressure.
- Equipped with Dacromet Coated Steel bolts, nuts.
- EPDM or NBR rubber seals .
- High Tolerance Mechanical Pipe Fittings

1:Flange dimensions according to EN1092-2
 2:Any definite information kindly contact with Hiwa directly.

Material Specification:

| No. | Parts Name | Material | Specification |
|-----|---------------|-----------------------|---------------|
| 1 | Body | Ductile Iron | GGG50 |
| 2 | Rubber Gasket | Rubber | EPDM |
| 3 | End Ring | Ductile Iron | GGG50 |
| 4 | Bolt | Dacromet Coated Steel | ISO898-1:1999 |
| 5 | Washer | Dacromet Coated Steel | |
| 6 | Nut | Dacromet Coated Steel | ISO898-2:1992 |
| 7 | Cap | Plastic | |

| | | | |
|----------|-----------|--------------------------|---------|
| DRAWER | TOLERANCE | MATERIAL: | UNIT:mm |
| CHECK | SCALE | Universal Flange Adaptor | |
| APPROVAL | DATE | | |
| | | DN40-DN400 | |
| | | REV | 201912A |

This document is the property of Huihua Valve Industry Co. Distribution of this document without the written consent of the owner is strictly forbidden. Failure to comply will incur a liability for damages.
<http://www.hiwaflow.com> Website Email
sales@hiwaflow.com
 86 - 533 - 6077217 Phone 86 - 533 - 6077233 FAX
 Huihua Valve Industry co. No.36 MinAn Road New Hi-Tech Industry Zone Zibo Shandong China 255088 p.c