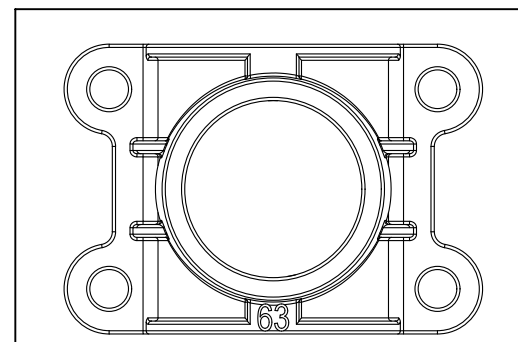
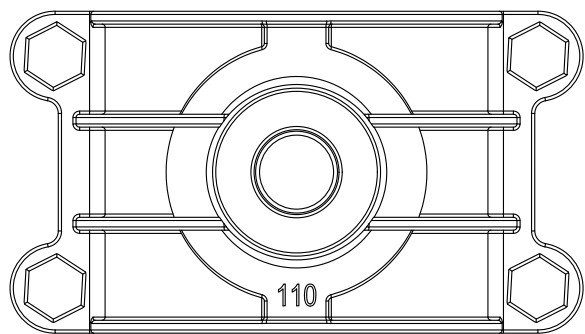
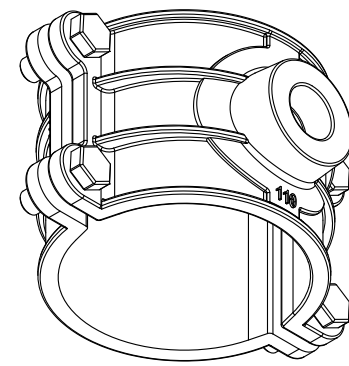
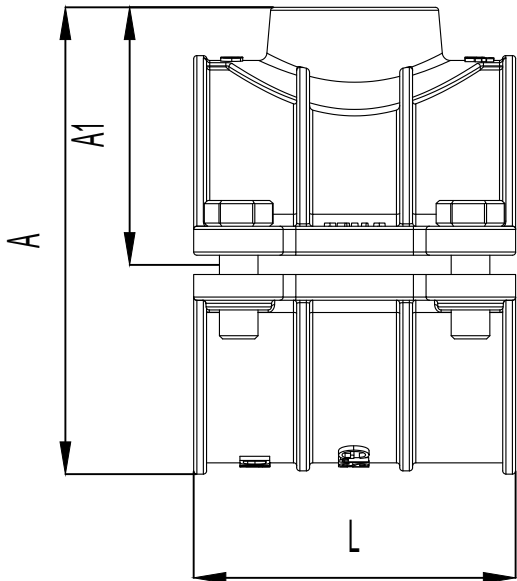
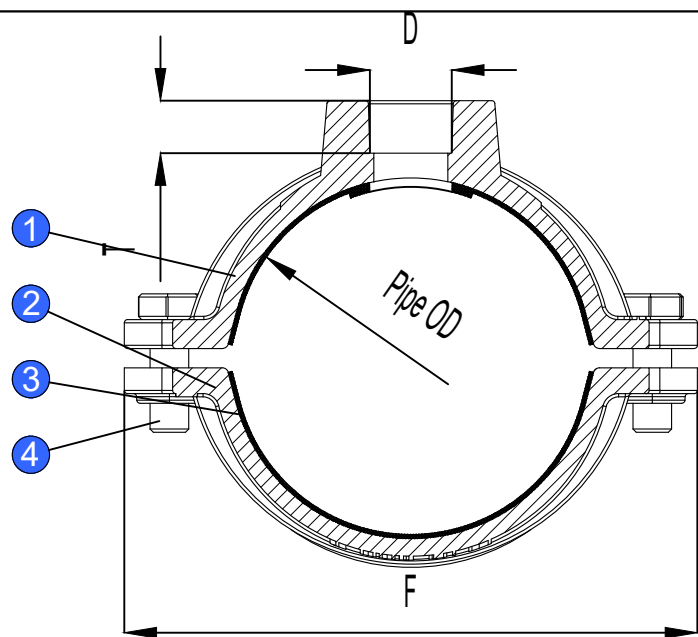
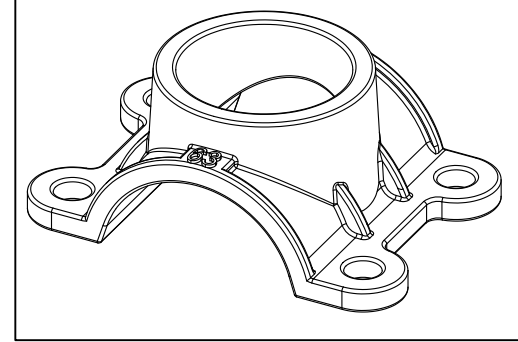
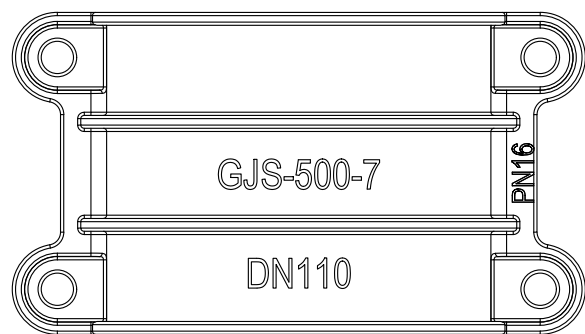


Fig:T501



DN63 2"



Material Specification:

No.	Parts Name	Material	Specification
1	Upper Body	Ductile Iron	GGG50
2	Under Body	Ductile Iron	GGG50
3	Gasket	Rubber	EPDM
4	Bolts	SS304	

Any definite information kindly contact with Hiwa directly.

DRAWER	TOLERANCE	MATERIAL:	UNIT:mm
CHECK	SCALE	PVC Saddle Clamp	
APPROVAL	DATE		



REV 202207A