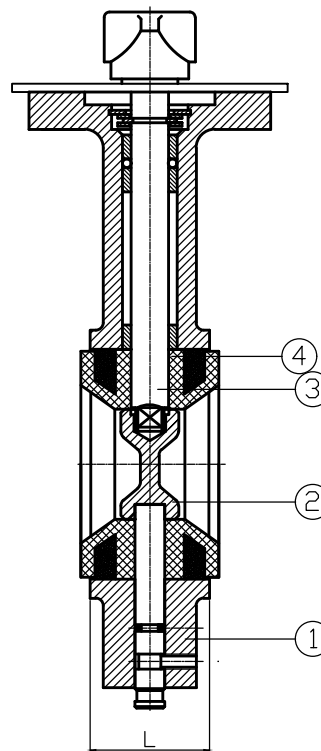
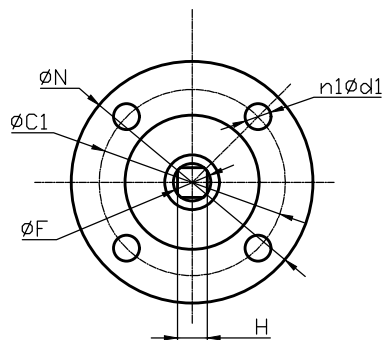
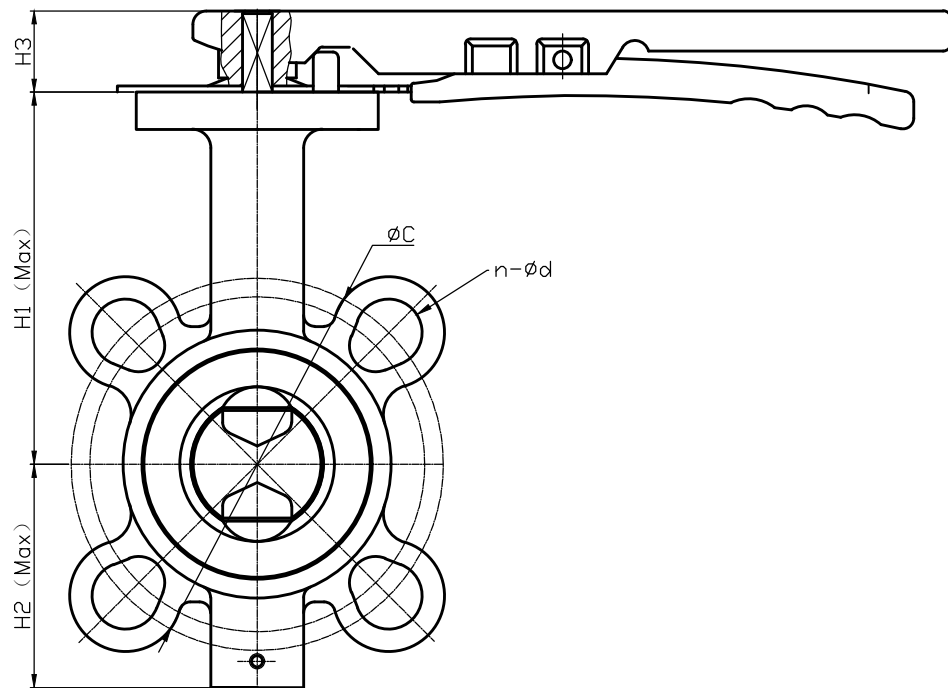


DN	L	H1	H2	H3	ISO5211				EN1092-2 PN16		ΦF	H
					TOP	ΦN	ΦC1	n1-Φd1	ΦC	n-Φd		
25	32	90	55	29	F05	65	50	4-Φ8	85	4-14	9	8*8
32	33	100	60	29	F05	65	50	4-Φ8	100	4-19	9	8*8



Specification:

- 1.General: ISO 5752
- 2.Face to face: ISO 5752
- 3.Inspection and test: API 598
- 4.Mounting pad: ISO 5211
- 5.Flange drill: EN1092-2 PN16

Size	Name	Material	Remark
1	Body	Ductile iron	
2	Disc	Ductile iron	
3	Stem	SS420	
4	Seat	EPDM	

DRN	wang	WEIGHT		MATERIAL
CHK		SCALE		Butterfly Valve
APP		DATE	07/25/2024	
hiwa				B16W-HJ
				REV

This document is the property of Huihua Valve Industry Co.
 Distribution of this document without the written consent of the owner is strictly forbidden.
 Failure to comply will incur a liability for damages.

http://www.hiwa.cn Website
 sales@hiwa.cn Email
 86 - 533 - 6077200 Phone
 86 - 533 - 6077233 FAX
 Huihua Valve Industry co.
 No.36 MinAn Road New Hi-Tech Industry
 Zone Zibo Shandong China 255088 p.c