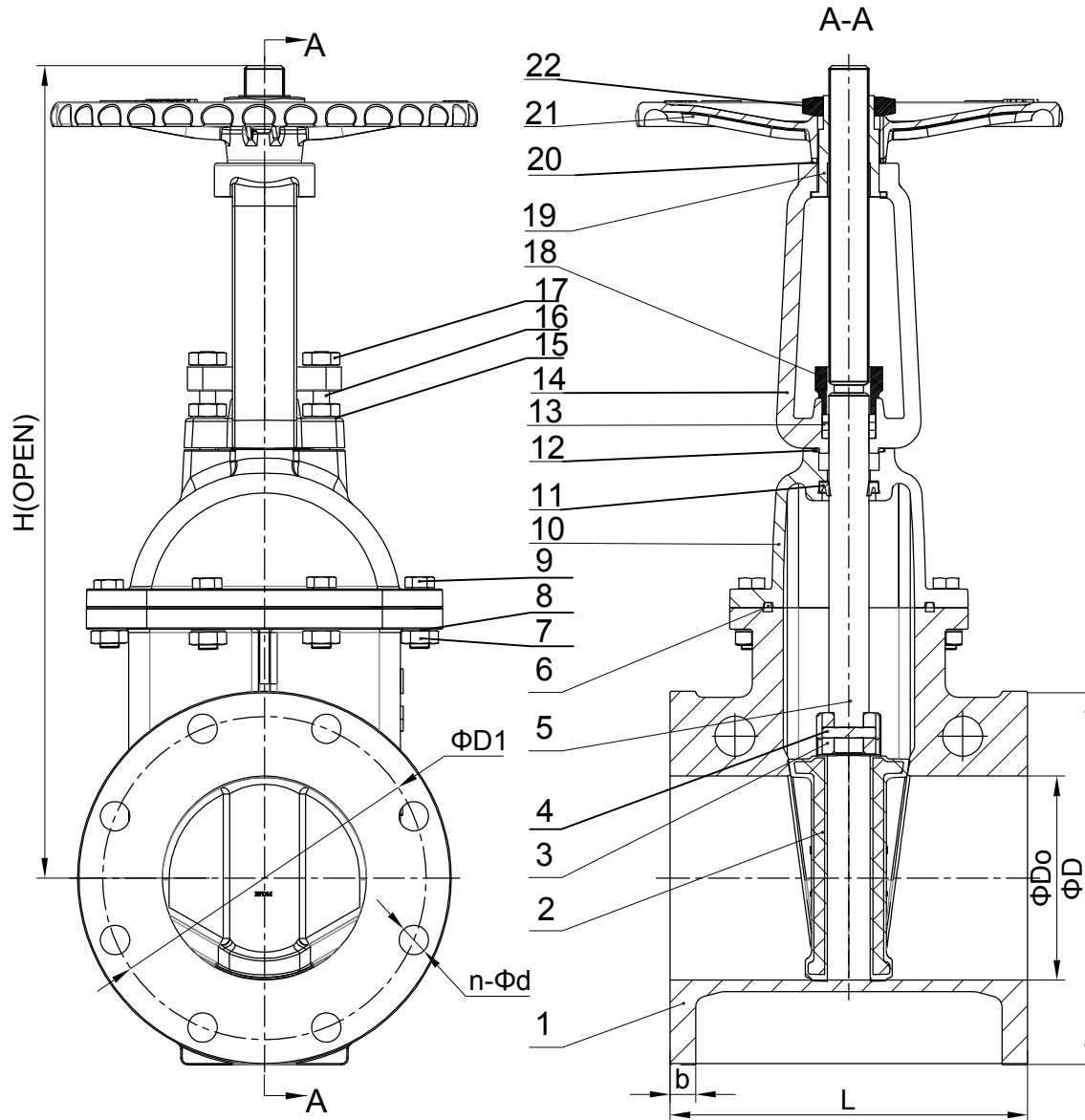


Size	L	ΦDo	ΦD	ANSI/ASME Class125&150		EN1092-2 PN10		EN1092-2 PN16		JIS10K		AS2129 Table D		AS2129 Table E		b	H
				ΦD1	n-Φd	ΦD1	n-Φd	ΦD1	n-Φd	ΦD1	n-Φd	ΦD1	n-Φd	ΦD1	n-Φd		
8"	292	203	Φ343	Φ298.5	8-Φ22	Φ295	8-Φ23	Φ295	12-Φ23	Φ290	12-Φ23	Φ292	8-Φ18	Φ292	8-Φ22	28.6	974
10"	330	Φ254.6	Φ406	Φ362	12-Φ25	Φ350	12-Φ23	Φ355	12-Φ28	Φ355	12-Φ25	Φ356	8-Φ22	Φ356	12-Φ22	30.2	1185
12"	356	Φ304.8	Φ483	Φ432	12-Φ25	Φ400	12-Φ23	Φ410	12-Φ28	Φ400	16-Φ25	Φ406	12-Φ22	Φ406	12-Φ26	31.8	1375

*All dimensions are in millimeter.

- 1.Design Standard/设计标准: AWWA C515 for 2"-8"; AWWA C509 for 10"-12".
- 2.Face to Face Standard/结构长标准: ANSI B16.10
- 3.Flange Drilling/法兰钻孔: ANSI/ASME B16.1 Class125, Other flange types available upon request
ANSI/ASME B16.1 Class 150,EN1092-1 PN10/PN16, JIS 10K/16K,AS 2129 Table D/Table E,BS10 Table D/Table E.
- 4.Working Pressure/工作压力: 175PSI, 200PSI, 250PSI, 300PSI.



22	Thin Nut/薄螺母	Stainless Steel/不锈钢	ASTM A276 304
21	Handweel/手轮	Ductile Iron/球铁	A536 65-45-12
20	Washer/铜垫片	Aluminium Bronze/铝青铜	AS1565 C95210
19	Yoke Nut/支架螺母	Aluminium Bronze/铝青铜	AS1565 C95210
18	Gland/压盖	Ductile Iron/球铁	A536 65-45-12
17	Nut/螺母	galvanized steel/碳钢镀锌	A307 Q235-A
16	studs/双头螺柱	galvanized steel 10.9grade/碳钢镀锌 10.9级	A307 Q235-A
15	Washer/平垫片	galvanized steel/碳钢镀锌	A307 Q235-A
14	Yoke/支架	Ductile Iron/球铁	A536 65-45-12
13	Packing/填料环	EPDM/三元乙丙橡胶	ASTM D2000
12	O-Ring/O型圈	EPDM/三元乙丙橡胶	ASTM D2000
11	V-Ring/V型圈	EPDM/三元乙丙橡胶	ASTM D2000
10	Bonnet/阀盖	Ductile Iron/球铁	A536 65-45-12
9	Bolt/六角头螺栓	galvanized steel 10.9grade/碳钢镀锌 10.9级	A307 Q235-A
8	Washer/平垫片	galvanized steel/碳钢镀锌	A307 Q235-A
7	Nut/螺母	galvanized steel/碳钢镀锌	A307 Q235-A
6	Bonnet Gasket/中法兰密封垫	EPDM/三元乙丙橡胶	ASTM D2000
5	Stem/阀杆	Stainless Steel/不锈钢	ASTM A276 431/304/316
4	Pin/圆柱销	Stainless Steel/不锈钢	ASTM A276 304
3	Stem Nut/阀杆螺母	Aluminium Bronze/铝青铜	AS1565 C95210
2	Wedge/闸板	Ductile Iron Encapsulated with EPDM/球铁+三元乙丙橡胶	A536 65-45-12+EPDM
1	Body/阀体	Ductile Iron/球铁	A536 65-45-12
NO/序号	Name/名称	Material/材料	Specification/规范

DRN	WEIGHT	MATERIAL
CHK	SCALE	OS&Y FlangexFlange Gate Valve 8"-12"
APP	DATE	

hiwa

CZ0034	
Z3113UF-FF-8-12-Assembly-UL	
REV	20171115-A

This document is the property of Huihua Valve Industry Co. Distribution of this document without the written consent of the owner is strictly forbidden. Failure to comply will incur a liability for damages.

http://www.hiwa.cn Website
sales@hiwa.cn Email

86 - 533 - 6077200 Phone
86 - 533 - 6077233 FAX

Huihua Valve Industry co.