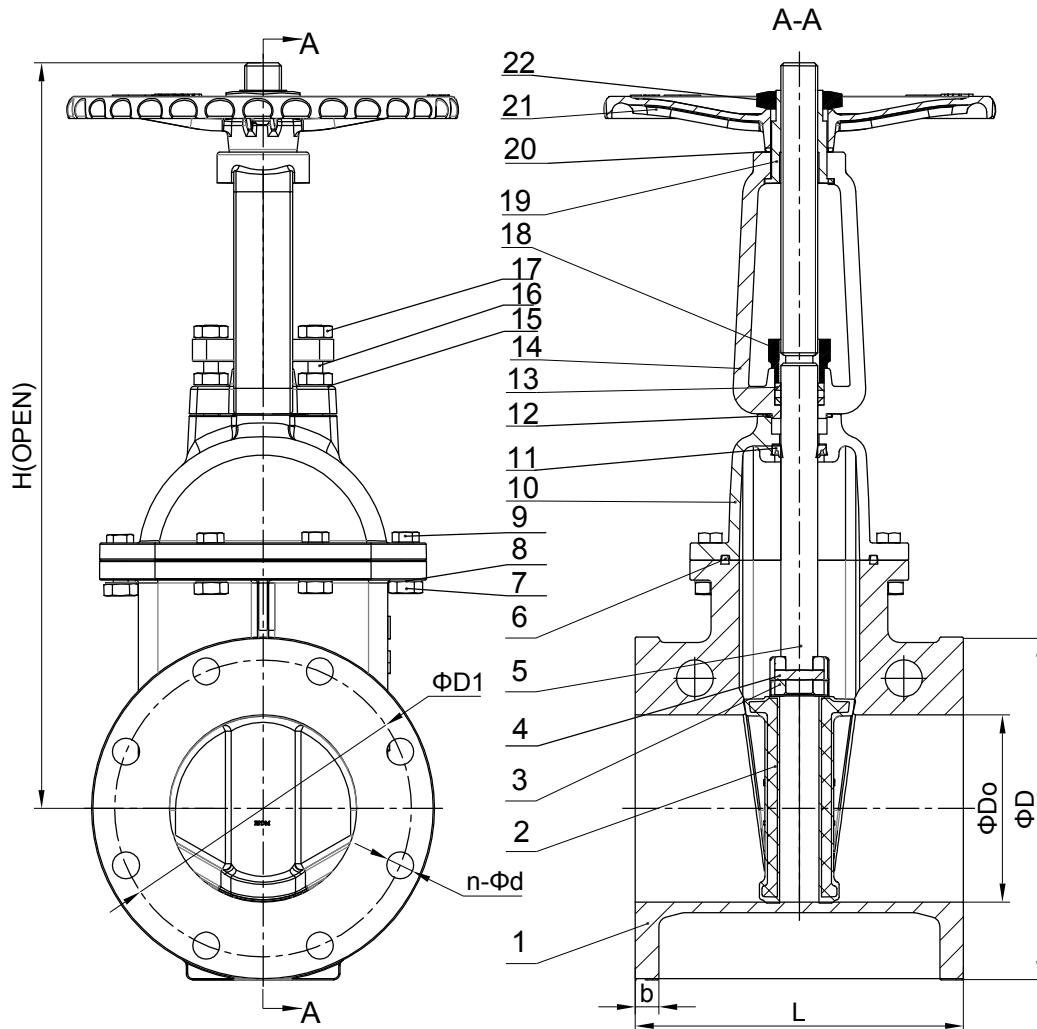


Size	L	ΦDo	ΦD	ANSI/ASME Class125&150		EN1092-2 PN10		EN1092-2 PN16		JIS10K		AS2129 Table D		AS2129 Table E		b	H
				ΦD1	n-Φd	ΦD1	n-Φd	ΦD1	n-Φd	ΦD1	n-Φd	ΦD1	n-Φd	ΦD1	n-Φd		
2 1/2"	191	Φ65	Φ178	Φ139.5	4-Φ19	Φ145	4-Φ19	Φ145	4-Φ19	Φ140	4-Φ19	Φ127	4-Φ18	Φ127	4-Φ18	17.5	450
3"	203	Φ80	Φ191	Φ152.5	4-Φ19	Φ160	8-Φ19	Φ160	8-Φ19	Φ150	8-Φ19	Φ146	4-Φ18	Φ146	4-Φ18	19.1	535
4"	229	Φ102.3	Φ229	Φ190.5	8-Φ19	Φ180	8-Φ19	Φ180	8-Φ19	Φ175	8-Φ19	Φ178	4-Φ18	Φ178	8-Φ18	23.9	590
5"	254	Φ128.2	Φ254	Φ216	8-Φ22	Φ210	8-Φ19	Φ210	8-Φ19	Φ210	8-Φ23	Φ210	8-Φ18	Φ210	8-Φ18	23.9	713
6"	267	Φ154.1	Φ279	Φ241.5	8-Φ22	Φ240	8-Φ23	Φ240	8-Φ23	Φ240	8-Φ23	Φ235	8-Φ18	Φ235	8-Φ22	25.4	790

\*All dimensions are in millimeter.

- 1.Design Standard/设计标准: AWWA C515 for 2"-8"; AWWA C509 for 10"-12".
- 2.Face to Face Standard/结构长标准: ANSI B16.10
- 3.Flange Drilling/法兰钻孔: ANSI/ASME B16.1 Class125, Other flange types available upon request ANSI/ASME B16.1 Class 150,EN1092-1 PN10/PN16, JIS 10K/16K,AS 2129 Table D/Table E,BS10 Table D/Table E.
- 4.Working Pressure/工作压力: 175PSI, 200PSI, 250PSI, 300PSI.



22	Thin Nut/薄螺母	Stainless Steel/不锈钢	ASTM A276 304
21	Handweel/手轮	Ductile Iron/球铁	A536 65-45-12
20	Washer/铜垫片	Aluminium Bronze/铝青铜	AS1565 C95210
19	Yoke Nut/支架螺母	Aluminium Bronze/铝青铜	AS1565 C95210
18	Gland/压盖	Ductile Iron/球铁	A536 65-45-12
17	Nut/螺母	galvanized steel/碳钢镀锌	A307 Q235-A
16	studs/双头螺柱	galvanized steel 10.9grade/碳钢镀锌 10.9级	A307 Q235-A
15	Washer/平垫片	galvanized steel/碳钢镀锌	A307 Q235-A
14	Yoke/支架	Ductile Iron/球铁	A536 65-45-12
13	Packing/填料环	EPDM/三元乙丙橡胶	ASTM D2000
12	O-Ring/O型圈	EPDM/三元乙丙橡胶	ASTM D2000
11	V-Ring/V型圈	EPDM/三元乙丙橡胶	ASTM D2000
10	Bonnet/阀盖	Ductile Iron/球铁	A536 65-45-12
9	Bolt/六角头螺栓	galvanized steel 10.9grade/碳钢镀锌 10.9级	A307 Q235-A
8	Washer/平垫片	galvanized steel/碳钢镀锌	A307 Q235-A
7	Nut/螺母	galvanized steel/碳钢镀锌	A307 Q235-A
6	Bonnet Gasket/中法兰密封垫	EPDM/三元乙丙橡胶	ASTM D2000
5	Stem/阀杆	Stainless Steel/不锈钢	ASTM A276 431/304/316
4	Pin/圆柱销	Stainless Steel/不锈钢	ASTM A276 304
3	Stem Nut/阀杆螺母	Aluminium Bronze/铝青铜	AS1565 C95210
2	Wedge/闸板	Ductile Iron Encapsulated with EPDM/球铁+三元乙丙橡胶	A536 65-45-12+EPDM
1	Body/阀体	Ductile Iron/球铁	A536 65-45-12
NO/序号	Name/名称	Material/材料	Specification/规范

DRN		WEIGHT		MATERIAL
CHK		SCALE		OS&Y FlangexFlange Gate Valve
APP		DATE		2 1/2"-6"

**Hiwa**

CZ0034	
Z3113UF-FF-2 1/2-6-Assembly-UL	
REV	20171115-A

This document is the property of Huihua Valve Industry Co. Distribution of this document without the written consent of the owner is strictly forbidden. Failure to comply will incur a liability for damages.

http://www.hiwa.cn Website  
sales@hiwa.cn Email

86 - 533 - 6077200 Phone  
86 - 533 - 6077233 FAX

Huihua Valve Industry co.