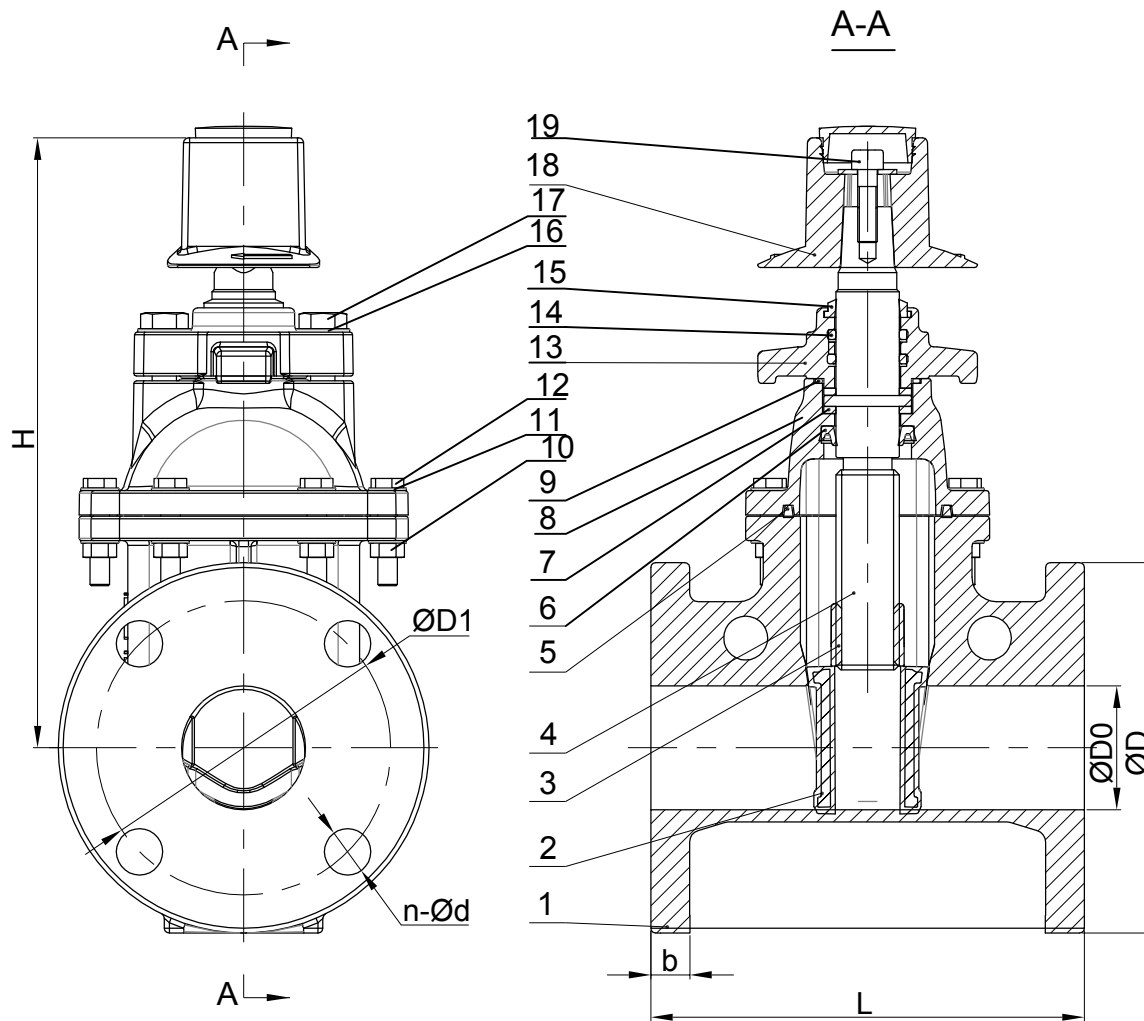


Size	L	ΦDo	ΦD	ANSI/ASME Class125&150		EN1092-2 PN10		EN1092-2 PN16		JIS10K		AS2129 Table D		AS2129 Table E		b	H
				ΦD1	n-Φd	ΦD1	n-Φd	ΦD1	n-Φd	ΦD1	n-Φd	ΦD1	n-Φd	ΦD1	n-Φd		
2 1/2"	191	Φ65	Φ178	Φ139.5	4-Φ19	Φ145	4-Φ19	Φ145	4-Φ19	Φ140	4-Φ19	Φ127	4-Φ18	Φ127	4-Φ18	17.5	268
3"	203	Φ80	Φ191	Φ152.5	4-Φ19	Φ160	8-Φ19	Φ160	8-Φ19	Φ150	8-Φ19	Φ146	4-Φ18	Φ146	4-Φ18	19.1	320

\*All dimensions are in millimeter.



- 1.Design Standard/设计标准: AWWA C515 for 2"-8"; AWWA C509 for 10"-12".
- 2.Face to Face Standard/结构长标准: ANSI B16.10
- 3.Flange Drilling/法兰钻孔: ANSI/ASME B16.1 Class125, Other flange types available upon request  
ANSI/ASME B16.1 Class 150,EN1092-1 PN10/PN16, JIS 10K/16K,AS 2129 Table D/Table E,BS10 Table D/Table E.
- 4.Working Pressure/工作压力: 175PSI, 200PSI, 250PSI, 300PSI.

19	Bolt/内六角螺栓	Galvanized steel/碳钢镀锌	A307 Q235-A
18	Cap/方帽	Ductile Iron/球铁	A536 65-45-12
17	Bolt/六角头螺栓	Galvanized steel 10.9grade/碳钢镀锌 10.9级	A307 Q235-A
16	Washer/垫片	Galvanized steel/碳钢镀锌	A307 Q235-A
15	Dust Guard/防尘圈	EPDM/三元乙丙橡胶	ASTM D2000
14	O-ring/O型圈	EPDM/三元乙丙橡胶	ASTM D2000
13	Gland/压盖	Ductile Iron/球铁	A536 65-45-12
12	Bolt/六角头螺栓	Galvanized steel 10.9grade/碳钢镀锌 10.9级	A307 Q235-A
11	Washer/平垫圈	Galvanized steel/碳钢镀锌	A307 Q235-A
10	Nut/螺母	Galvanized steel/碳钢镀锌	A307 Q235-A
9	Bonnet/阀盖	Ductile Iron/球铁	A536 65-45-12
8	O-ring/O型圈	EPDM/三元乙丙橡胶	ASTM D2000
7	Washer/垫片	Nylon/尼龙	Nylon
6	V-Ring/V型圈	EPDM/三元乙丙橡胶	ASTM D2000
5	Bonnet Gasket/中法兰密封垫	EPDM/三元乙丙橡胶	ASTM D2000
4	Stem/阀杆	Stainless Steel/不锈钢	ASTM A276 431/304/316
3	Stem Nut/阀杆螺母	Aluminium Bronze/铝青铜	AS1565 C95210
2	Wedge/闸板	Ductile Iron Encapsulated with EPDM/球铁+三元乙丙橡胶	A536 65-45-12+EPDM
1	Body/阀体	Ductile Iron/球铁	A536 65-45-12
No/序号	Name/名称	Material/材料	Specification/规范

DRN	WEIGHT	MATERIAL
CHK	SCALE	NRS Flange x Flange Gate Valve 2 1/2"-3" CZ0026
APP	DATE	
		20171115-A
		Z3713BUF-FF-2 1/2-3-Assembly-UL REV

This document is the property of Huihua Valve Industry Co. Distribution of this document without the written consent of the owner is strictly forbidden. Failure to comply will incur a liability for damages.

http://www.hiwa.cn Website  
 sales@hiwa.cn Email

86 - 533 - 6077200 Phone  
 86 - 533 - 6077253 FAX

Huihua Valve Industry co.