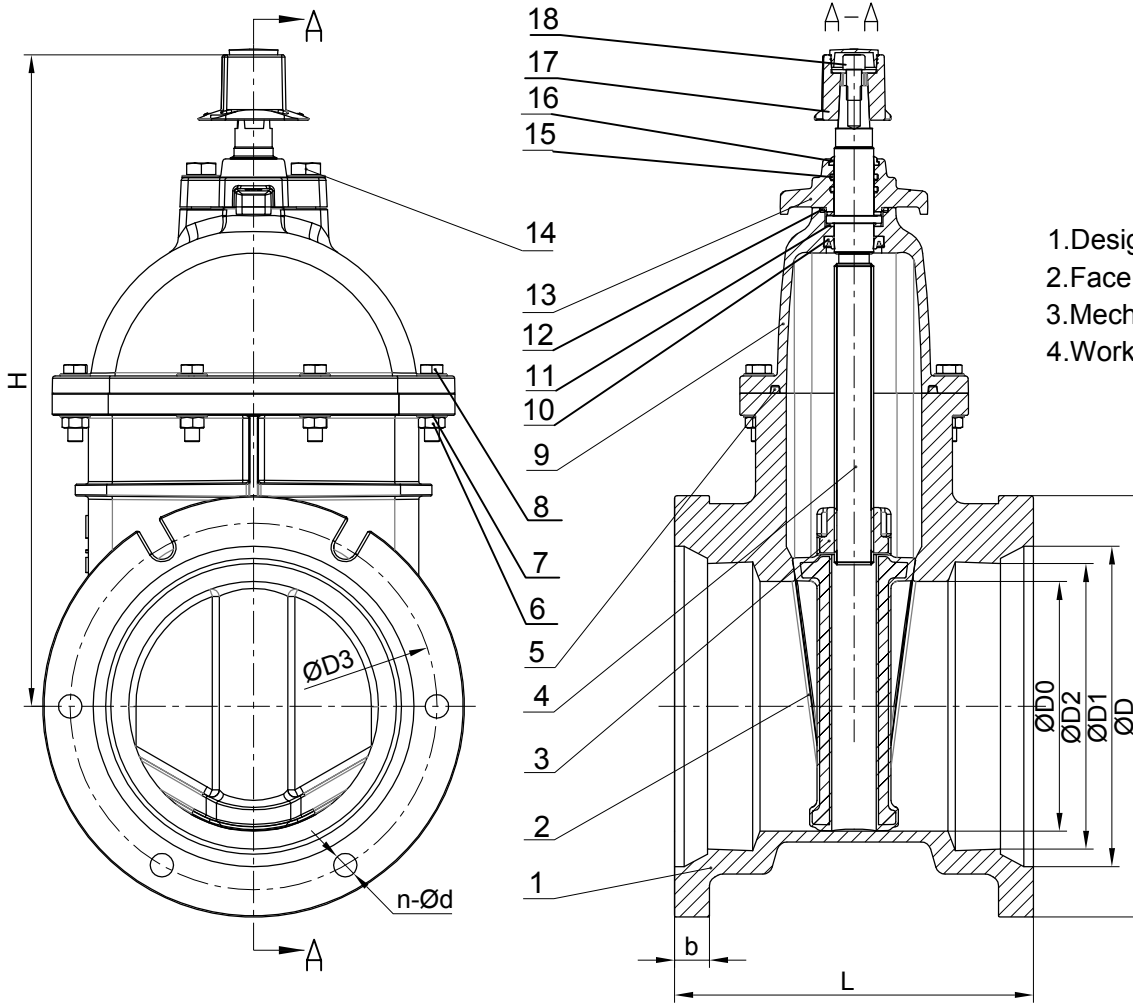


| Size | L | ΦD0 | ΦD | ΦD1 | ΦD2 | ΦD3 | n-Φd | b | H |
|------|-----|--------|---------|---------|--------|---------|-------|-------|-----|
| 8" | 292 | Φ203 | Φ343 | Φ260.8 | Φ232.4 | Φ298.45 | 6-Φ22 | 28.5 | 540 |
| 10" | 330 | Φ254.6 | Φ404.62 | Φ314.96 | Φ284.5 | Φ355.6 | 8-Φ22 | 30.23 | 625 |
| 12" | 356 | Φ304.8 | Φ457.2 | Φ368.3 | Φ337.8 | Φ412.75 | 8-Φ22 | 31.75 | 700 |

*All dimensions are in millimeter.



- 1.Design Standard/设计标准: AWWA C515 for 2"-8"; AWWA C509 for 10"-12"
- 2.Face to Face Standard/结构长标准: ANSI B16.10
- 3.Mechanical Ends/连接标准: AWWA C111/A21.11, AWWA C110
- 4.Working Pressure/工作压力: 175PSI, 200PSI, 250PSI, 300PSI

| 18 | Bolt/内六角螺栓 | Galvanized steel/碳钢镀锌 | A307 Q235-A |
|--------|----------------------|--|-----------------------|
| 17 | Cap/方帽 | Ductile Iron/球铁 | A536 65-45-12 |
| 16 | Dust Guard/防尘圈 | EPDM/三元乙丙橡胶 | ASTM D2000 |
| 15 | O-ring/O型圈 | EPDM/三元乙丙橡胶 | ASTM D2000 |
| 14 | Bolt/六角头螺栓 | Galvanized steel 10.9grade/碳钢镀锌 10.9级 | A307 Q235-A |
| 13 | Gland/压盖 | Ductile Iron/球铁 | A536 65-45-12 |
| 12 | O-ring/O型圈 | EPDM/三元乙丙橡胶 | ASTM D2000 |
| 11 | Washer/垫片 | Nylon/尼龙 | Nylon |
| 10 | V-Ring/V型圈 | EPDM/三元乙丙橡胶 | ASTM D2000 |
| 9 | Bonnet/阀盖 | Ductile Iron/球铁 | A536 65-45-12 |
| 8 | Bolt/六角头螺栓 | Galvanized steel 10.9grade/碳钢镀锌 10.9级 | A307 Q235-A |
| 7 | Washer/平垫圈 | Galvanized steel/碳钢镀锌 | A307 Q235-A |
| 6 | Nut/螺母 | Galvanized steel/碳钢镀锌 | A307 Q235-A |
| 5 | Bonnet Gasket/中法兰密封垫 | EPDM/三元乙丙橡胶 | ASTM D2000 |
| 4 | Stem/阀杆 | Stainless Steel/不锈钢 | ASTM A276 431/304/316 |
| 3 | Stem Nut/阀杆螺母 | Aluminium Bronze/铝青铜 | AS1565 C95210 |
| 2 | Wedge/闸板 | Ductile Iron Encapsulated with EPDM//球铁+三元乙丙橡胶 | A536 65-45-12+EPDM |
| 1 | Body/阀体 | Ductile Iron/球铁 | A536 65-45-12 |
| No./序号 | Name/名称 | Material/材料 | Specification规范 |

| DRN | WEIGHT | MATERIAL |
|-------------|------------|------------------------------|
| CHK | SCALE | NRS MJ.xMJ. Gate Valve |
| APP | DATE | 8"-12" |
| hiwa | | CZ0028 |
| | | Z3713BUF-MM-8-12-Assembly-UL |
| REV | 20171115-A | |

This document is the property of Huihua Valve Industry Co. Distribution of this document without the written consent of the owner is strictly forbidden. Failure to comply will incur a liability for damages.

http://www.hiwa.cn Website sales@hiwa.cn Email

86 - 533 - 6077200 Phone 86 - 533 - 6077233 FAX

Huihua Valve Industry Co. No.36 MinAn Road New Hi-Tech Industry Zone Zibo Shandong China 255088 p.c