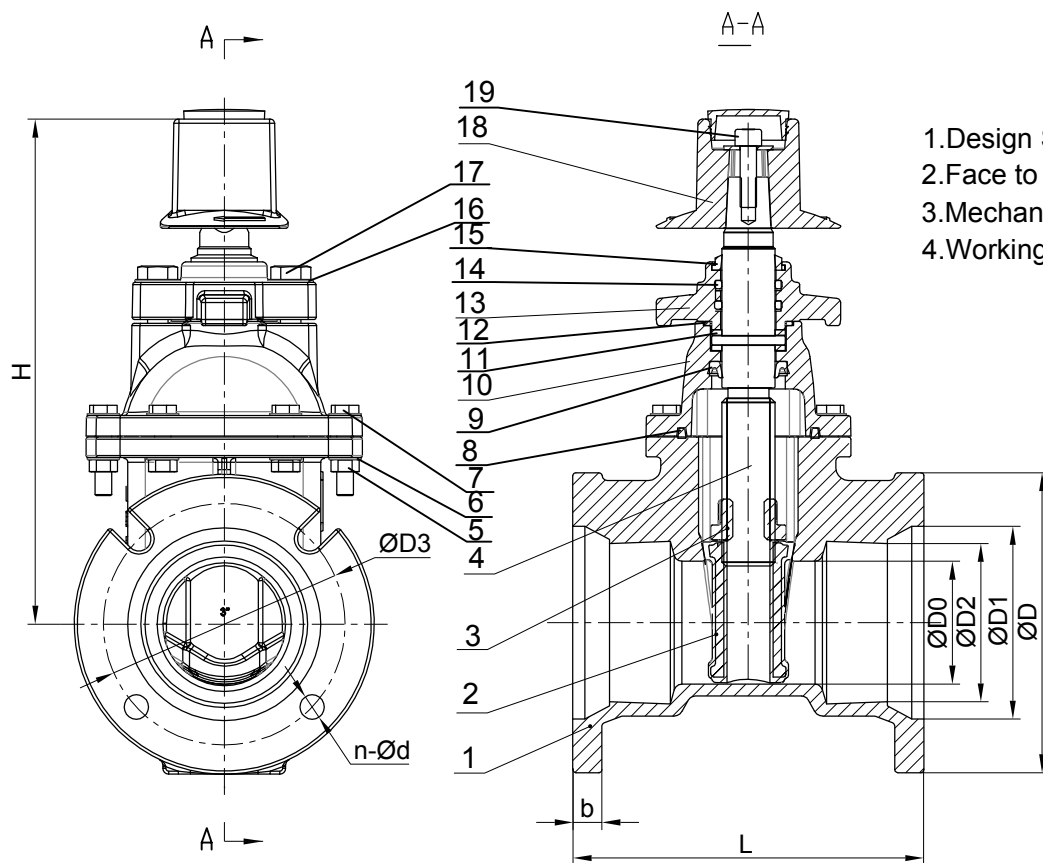


Size	L	ΦD0	ΦD	ΦD1	ΦD2	ΦD3	n-Φd	b	H
3"	228.6	Φ80	Φ195.32	Φ125.48	Φ103.1	Φ157.2	4-Φ19	23.9	320

*All dimensions are in millimeter.



- 1.Design Standard/设计标准: AWWA C515 for 2"-8"; AWWA C509 for 10"-12".
- 2.Face to Face Standard/结构长标准: ANSI B16.10
- 3.Mechanical Ends/连接标准: AWWA C111/A21.11, AWWA C110
- 4.Working Pressure/工作压力: 175PSI, 200PSI, 250PSI, 300PSI

19	Bolt/内六角螺栓	Galvanized steel/碳钢镀锌	A307 Q235-A
18	Cap/方帽	Ductile Iron/球铁	A536 65-45-12
17	Bolt/六角头螺栓	Galvanized steel/碳钢镀锌	A307 Q235-A
16	Washer/垫片	Galvanized steel/碳钢镀锌	A307 Q235-A
15	Dust Guard/防尘圈	EPDM/三元乙丙橡胶	ASTM D2000
14	O-ring/O型圈	EPDM/三元乙丙橡胶	ASTM D2000
13	Gland/压盖	Ductile Iron/球铁	A536 65-45-12
12	O-ring/O型圈	EPDM/三元乙丙橡胶	ASTM D2000
11	Washer/垫片	Nylon/尼龙	Nylon
10	Bonnet/阀盖	Ductile Iron/球铁	A536 65-45-12
9	Bolt/六角头螺栓	Galvanized steel 10.9grade/碳钢镀锌 10.9级	A307 Q235-A
8	Washer/平垫圈	Galvanized steel/碳钢镀锌	A307 Q235-A
7	Nut/螺母	Galvanized steel/碳钢镀锌	A307 Q235-A
6	V-Ring/V型圈	EPDM/三元乙丙橡胶	ASTM D2000
5	Bonnet Gasket/中法兰密封垫	EPDM/三元乙丙橡胶	ASTM D2000
4	Stem/阀杆	Stainless Steel/不锈钢	ASTM A276 431/304/316
3	Stem Nut/阀杆螺母	Aluminium Bronze/铝青铜	AS1565 C95210
2	Wedge/闸板	Ductile Iron Encapsulated with EPDM/球铁+三元乙丙橡胶	A536 65-45-12+EPDM
1	Body/阀体	Ductile Iron/球铁	A536 65-45-12
No/序号	Name/名称	Material/材料	Specification/规范

DRN		WEIGHT		MATERIAL
CHK		SCALE		NRS MJ. x MJ. Gate Valve 3"
APP		DATE		

hiwa

CZ0028
Z3713BUF-MM-3-Assembly-UL

REV 20171115-A

This document is the property of Huihua Valve Industry Co. Distribution of this document without the written consent of the owner is strictly forbidden. Failure to comply will incur a liability for damages.

http://www.hiwa.cn Website
sales@hiwa.cn Email

86 - 533 - 6077200 Phone
86 - 533 - 6077233 FAX

Huihua Valve Industry Co.
No.36 MinAn Road New Hi-Tech Industry
Zone Zibo Shandong China 255088 p.c