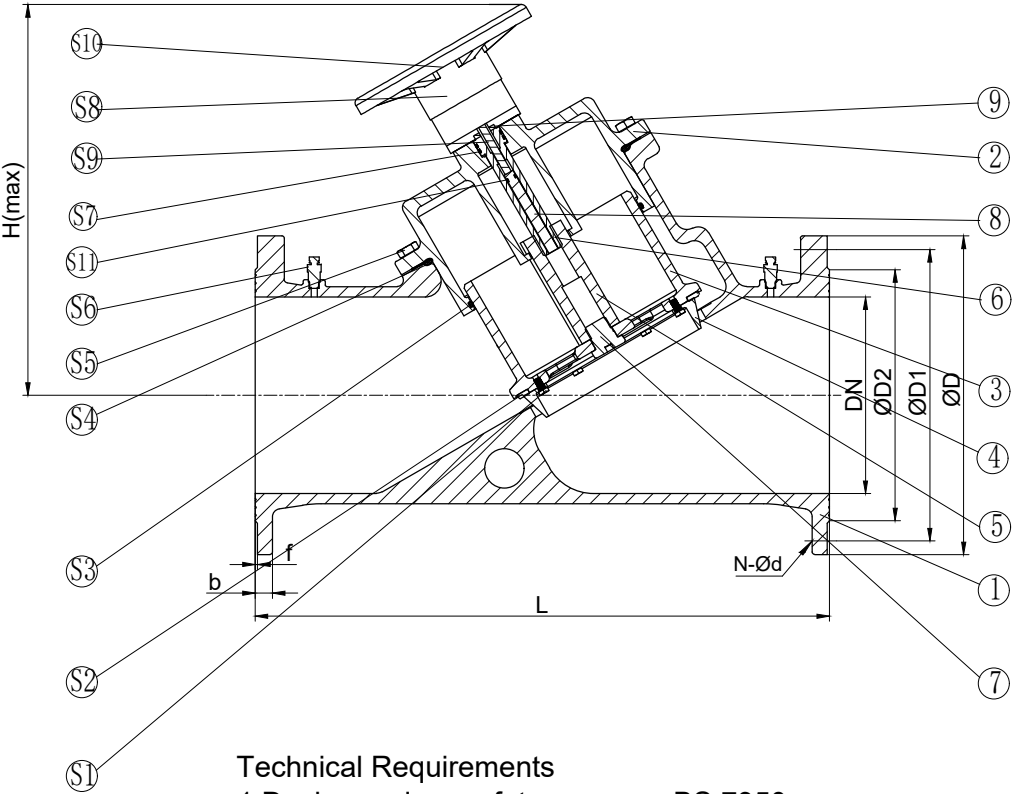


Specification			
Nominal pressure	1.6		MPa
Test Pressure	Shell Test	2.4	
	Pre-Seal Test	1.76	
SuitableTemp.	-20~100		°C
Suitable Media	Water		



- Technical Requirements**
- 1.Desing and manufactory as per: BS 7350
  - 2.Flange dimensions as per: EN1092-2 PN16
  - 3.End and end dimensions as per: EN558-1 Series 1
  - 4.Factory inspection project: GB/T 28636-2012

Size	L	DN	ØD	ØD1	ØD2	N-Ød	b	f	H(Max)
DN200	600	200	340	295	266	12-Ø23	20	3	468
DN250	730	250	405	355	319	12-Ø28	22	3	503
DN300	850	300	460	410	370	12-Ø28	24.5	4	545

No	Name	Material	Remark
1	Body	Ductile iron GGG40	
2	Bonnet	Ductile iron GGG40	
3	Sleeve	Ductile iron GGG40	
4	Disc	Ductile iron GGG40	
5	Stem Barrel	Ductile iron GGG40	
6	Stem	Brass HPb59-1	
7	Connecting bolt	Galvanized steel	
8	Pin	SS304	
9	Thrust ring	Carbon steel	
S1	Inside Hexagonal Bolt	SS304	
	Gasket	SS304	
S2	Sealing	EPDM	
S3	O-ring(Bonnet)	EPDM	
S4	O-ring	EPDM	
S5	Inside Hexagonal Bolt	Galvanized steel	
	Gasket	Galvanized steel	
S6	Testing Point	Brass HPb59-1	
S7	O-ring(Stem)	EPDM	
S8	Handwheel	Nylon	
S9	Screw	SS304	
S10	Inside Hexagonal Bolt	Galvanized steel	
S11	O-ring(Pin)	EPDM	

DRN	Wang	WEIGHT		MATERIAL
CHK		SCALE		Static Balancing Valve
APP		DATE	07/19/2024	
				CM0030
				REV

Huihua Valve Industry Co. No.36 MinAn Road New Hi-Tech Industry Zone Zibo Shandong China 255088 p.c  
 Phone 86 - 533 - 6077200 FAX 86 - 533 - 6077233  
 Website http://www.hiwa.cn Email sales@hiwa.cn  
 This document is the property of Huihua Valve Industry Co. Distribution of this document without the written consent of the owner is strictly forbidden. Failure to comply will incur a liability for damages.